

GeBE-MULDE Maxi

GPT-4454

TECHNICAL INFORMATION

Highlights at first sight:

- built-in thermal printer in a glass fiber reinforced housing
- ideal for protocol, receipt and label printing on paper width 114 mm
- recommended for Siemens SIMATIC HMI panels, for Endress+Hauser ecograph / memograph
- real alternative for A4 printers used in industrial areas, compatible to HP deskjet
- dynamical printing up to 70 mm/s
- 5V operation and DC/DC converter with wide input voltage range 10-36 VDC
- customized versions for medium quantities e.g. operation foil or housing colour

The GeBE-MULDE Maxi

The thermal printer GeBE-MULDE Maxi (GPT-4454) is built in a glass fiber reinforced plastic housing and serves the industrial field application as a stationary implementation. It is a true space-saving alternative to A4 printer systems. Siemens recommends the GeBE-MULDE Maxi for SIMATIC HMI panels as well as Endress+Hauser ecographA, ecographC and memograph. Die GeBE-MULDE Maxi is also compatible to HP deskjet.

USB and RS232 interfaces are standard available.

The GeBE-MULDE Maxi prints on self-adhesive labels. Using the right paper, the printer can be operated in a temperature range of -10°C to +60°C.

Typical application

Protocol printing, e.g. in machines, for technical measurement purposes or documentation / receipt printing, e.g. at POS or for accounting systems in gastronomy

Drivers

The printer controller GCT-4462 will be supported by following drivers:

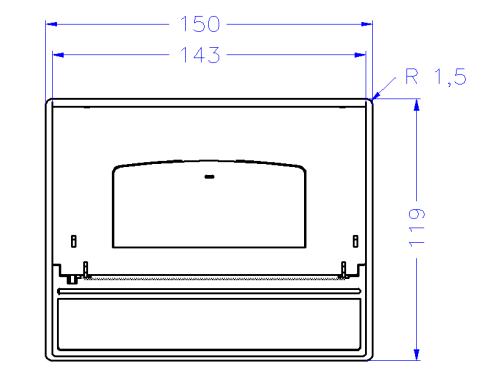
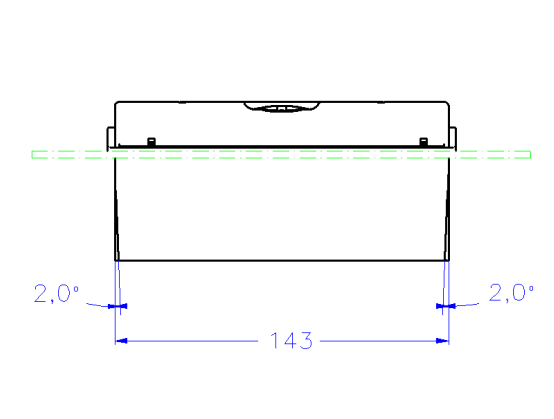
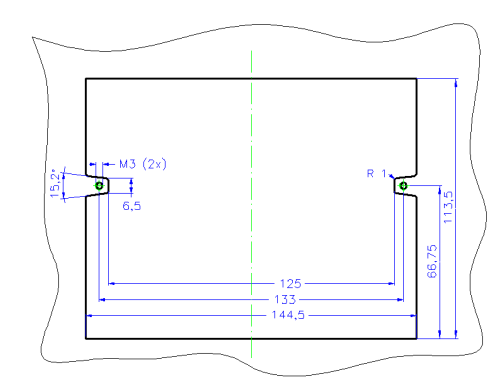
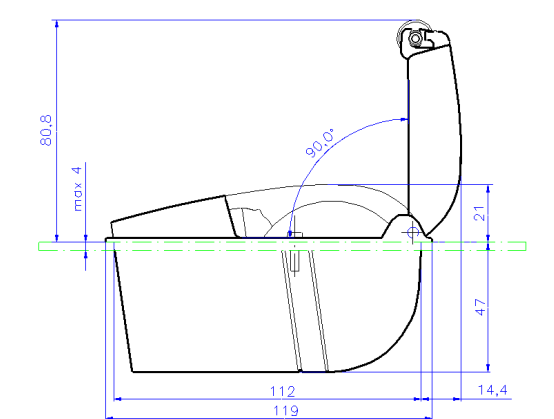
Windows® CE.Net 4.2, 5.0, 6.0 and Windows® 7, 8, 8.1, 10

Unix via Cups for Linux and Mac OS

Accessory details

Article number	Article designation	Article description
Cable		
10258	GKA-245-1-2-AEH/x-500-S	Power supply 1,00 qmm, length 500 mm with wire end sleeve
12082	GKA-491-1-7-MLX/x-250-S	Power supply 7-pin for 5 VDC connection, length 250 mm
12895	GKA-517-2-7-MLX/AEH-500-S	Power supply 7-pin for 5 VDC connection wit 4A fuse, length 500 mm
10589	GKA-304-2-9-SubD9/SubD9-2000-D	Round cable RS232 1:1 extension sub-D 9, length 2000 mm
11352	GKA-406-2-5-SHR/SubD9-1000-D	Round cable RS232 JST 5-pin to sub-D 9, length 1000 mm
11387	GKA-414-1-5-SHR/x-500-D	Cable JST 5-pin, one side open, length 500 mm
12538	GKA-543-2-4-USBB/USBA-1800-D	Cable USB type B to type A, length 1800 mm
Mounting support		
12363	GMS-4454-3HE	3HE mounting frame with fastening screws
13234	GMS-4454-192x144	DIN mounting frame with fastening screws
13815	GMT-4454-PCB-Metal-Cover-C32	Controller protection plate with connection marking
13829	GMT-4454-DIN-housing	DIN housing for switchboard, BHT 192 x 144 x 62 mm
13463	GMT-DIN-fastening clasp	Fastening clasp for DIN housing
10540	GMS-4454-DIN192x144-door with hasp	Transparent front door for #13829 with IP54
Power supply		
13696	GNG-0-5V-5A-AC-SK/AEH-Set	Power supply 5V 5A with Schuko plug and power supply cable
13695	GNG-0-24V-3A-AC-SK/AEH-Set	Power supply 24V 3A with Schuko plug and power supply cable
Paper		
12028	GPR-114-060-025-080-07-AN1k-WR	7 years paper, roll ø 60 mm, width: 114 mm, paper thickness: 80 µm
12599	GPR-114-060-025-080-25-AN1k	25 years paper, rolle ø 60 mm, width: 114 mm, paper thickness: 80 µm
12346	GLR-114-059-025-120-12-AN1k-EL	Single lables, size: 109.5x76.2 mm, approx. 210 units, width: 114 mm
Customising		
11586	GPT-4xxx-Foil Tooling	Tooling foil for GPT-4454, standardized up to 6 colors (one-time)
12173	GPT-4454-Foil-Sxxx	Customized foil
13669	GMT-4454-special color	Housing in special color RAL

Technical drawings



Drawing 1: GeBE-MULDE Maxi for 114 mm paper width

Technical data details

	GPT-4454-C32-62-USB/V.24-LV-DC24
Insert paper	Easy paper loading
Print procedure	Thermal direct print
Resolution	8 dots/mm (203dpi), 832 dots/line
Print speed	max. 70 mm/s
Paper / print width	114 / 104 mm
Paper thickness	70 – 100 µm + thin labels
Supply voltage	4.5 – 8.5 VDC and 10 – 36 VDC
Max. current during print	adjustable via command: 0.7 – 6.0 A
Current consumption during standby / sleep	approx. 60 mA depending on interface
Available interfaces	RS232 and USB
Fonts	23 fonts extendable, UTF able
Bar code	EAN8 / EAN13 / UPCA / Code39 / 2aus5 int / Code 128
MTBF*	50 km
Dimensions	150 x 119 x 68 mm, mounting depth: 47 mm
Weight	500 g incl. paper roll
Paper roll diameter	max. 60 mm
Housing	PA6 with 15% glass fiber, color anthracite RAL 7016
Environment	-10°C – +60°C with specified paper
Humidity	10 – 90 % relative humidity – no condensation
Storage condition	-20°C – +70 °C, 10 – 90 % relative humidity – no condensation

*) Life cycle according to mechanism testing conditions of the manufacturer with specified paper only. Please inquire. The life cycle of the print head is an averaged expectable performance and no guaranteed data. Under optimum conditions, the above listed data can be achieved using specified paper according to our documentation TI-606.

The GeBE logo is a registered trademark of GeBE Elektronik und Feinwerktechnik GmbH. All other brands named in this brochure are properties of the respective companies. The technical data given are non-committal information and do not represent any assurance of certain features. Errors and changes reserved. This technical documentation is only valid until release of a revision. Please always request the newest documentation edition.

Our terms of payment and delivery apply.
Copyright © 2016 GeBE Elektronik und Feinwerktechnik GmbH.
All rights reserved.